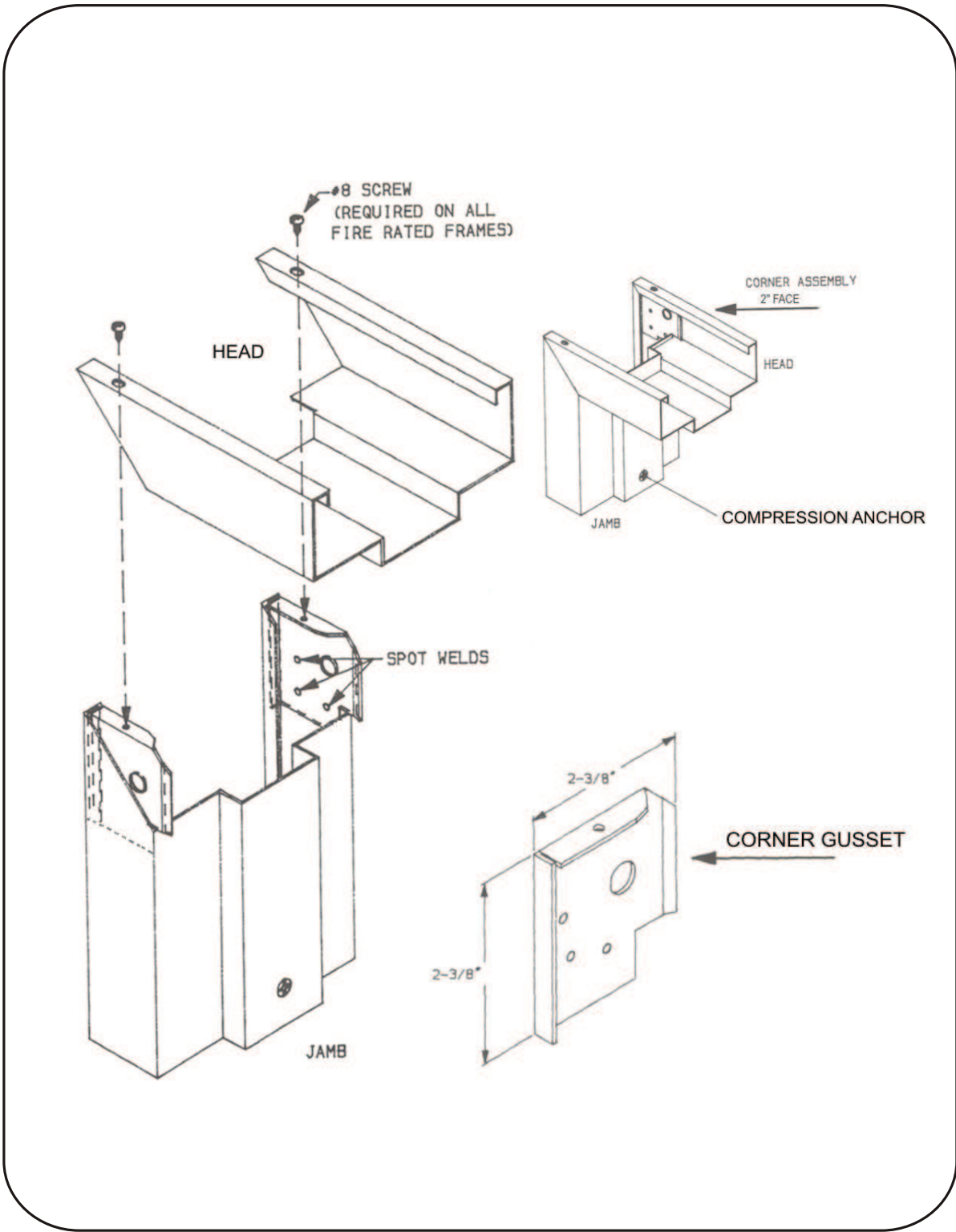


TECHNICAL DATA SHEET

F - 200 - 04 DRYWALL CORNER DETAIL



Issue Date: January 2006

REVISED : 02/01/2009

